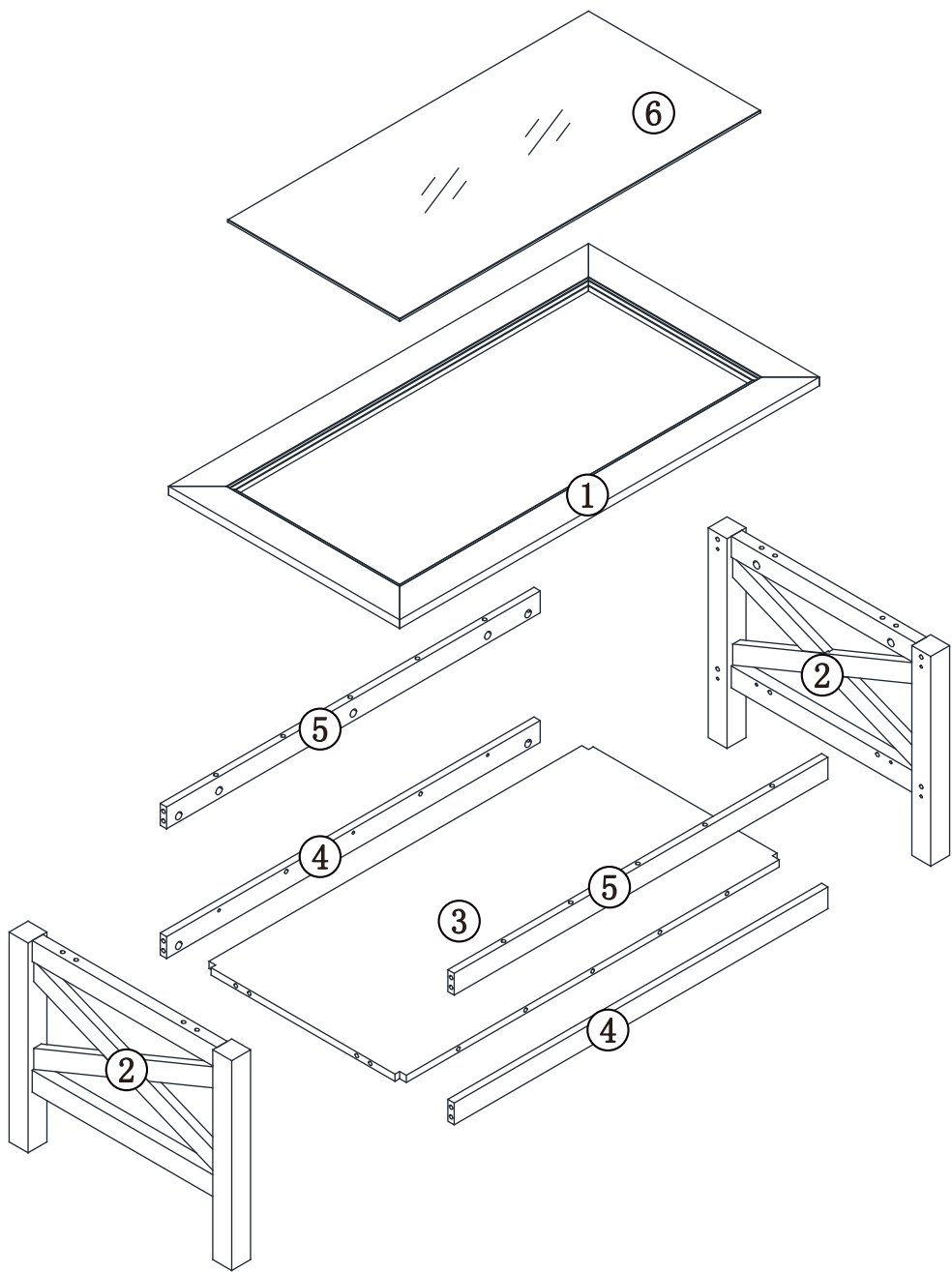


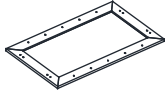
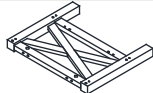
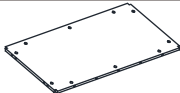
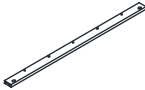
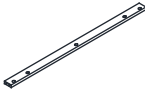


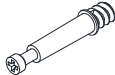

READ AND SAVE THIS INSTRUCTION FOR FUTURE USE

ASSEMBLY INSTRUCTION

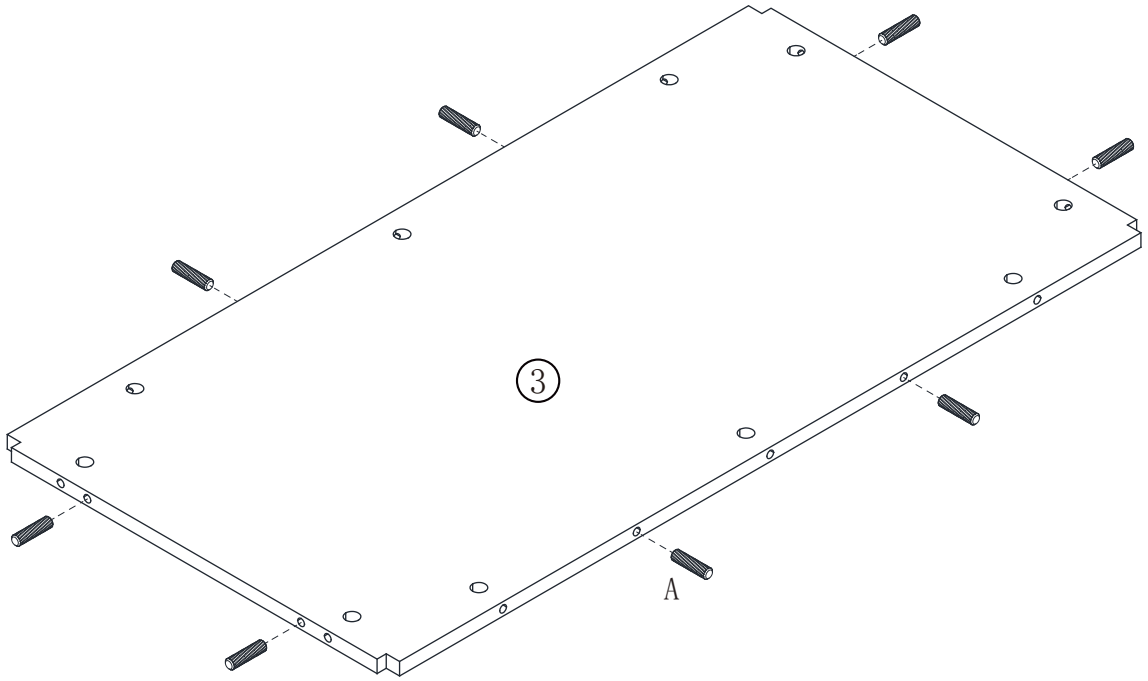


PACKING DETAILS : TOTAL 2 BOX

BOX 1/1:

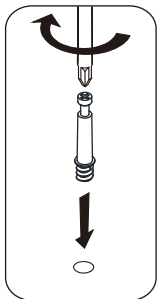
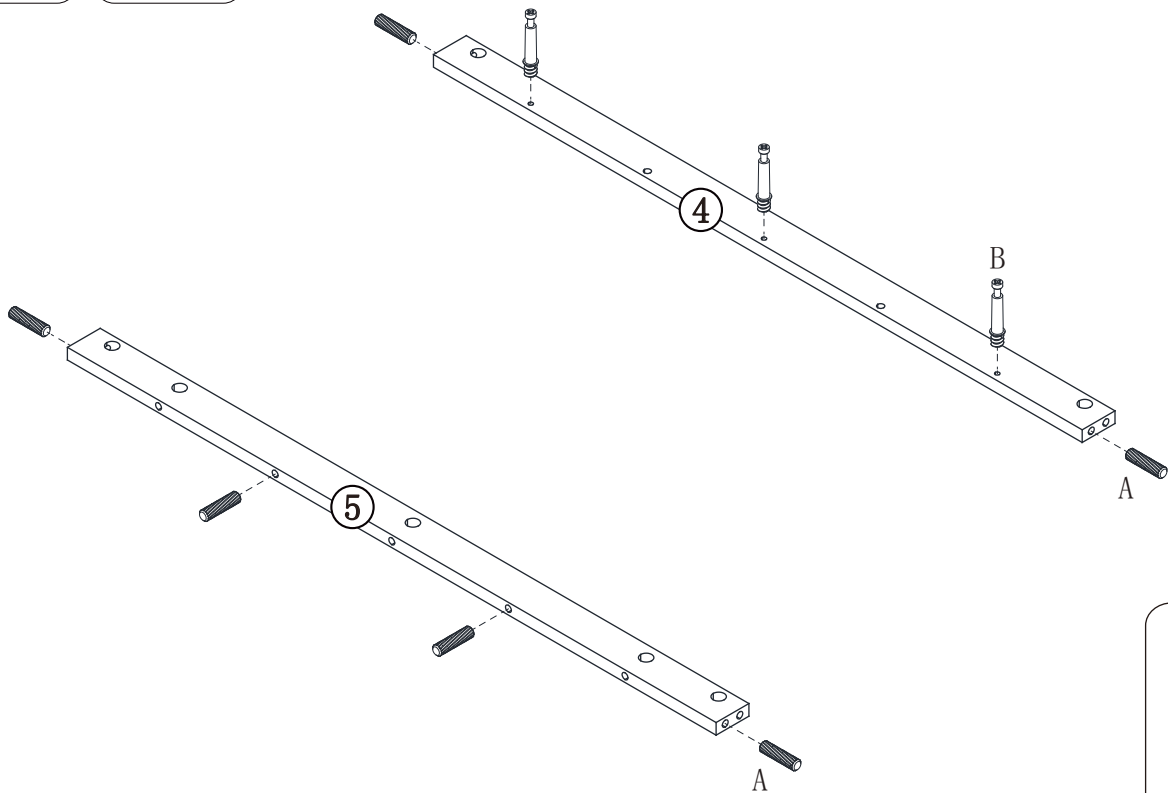
PARTNO.	PARTS	QTY
①		x1
②		x2
③		x1
④		x2
⑤		x2
⑥		x1
A		x24
B		x28
C		x28

Ax8

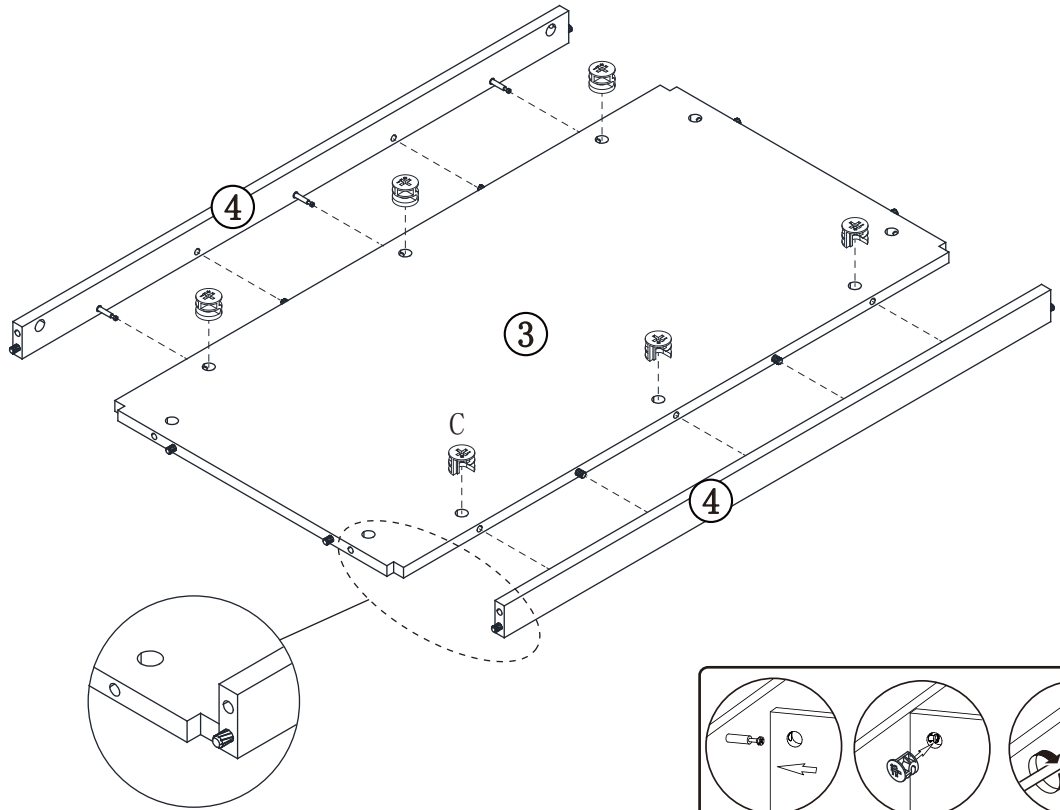


A X12

B X6



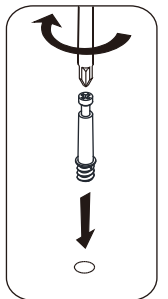
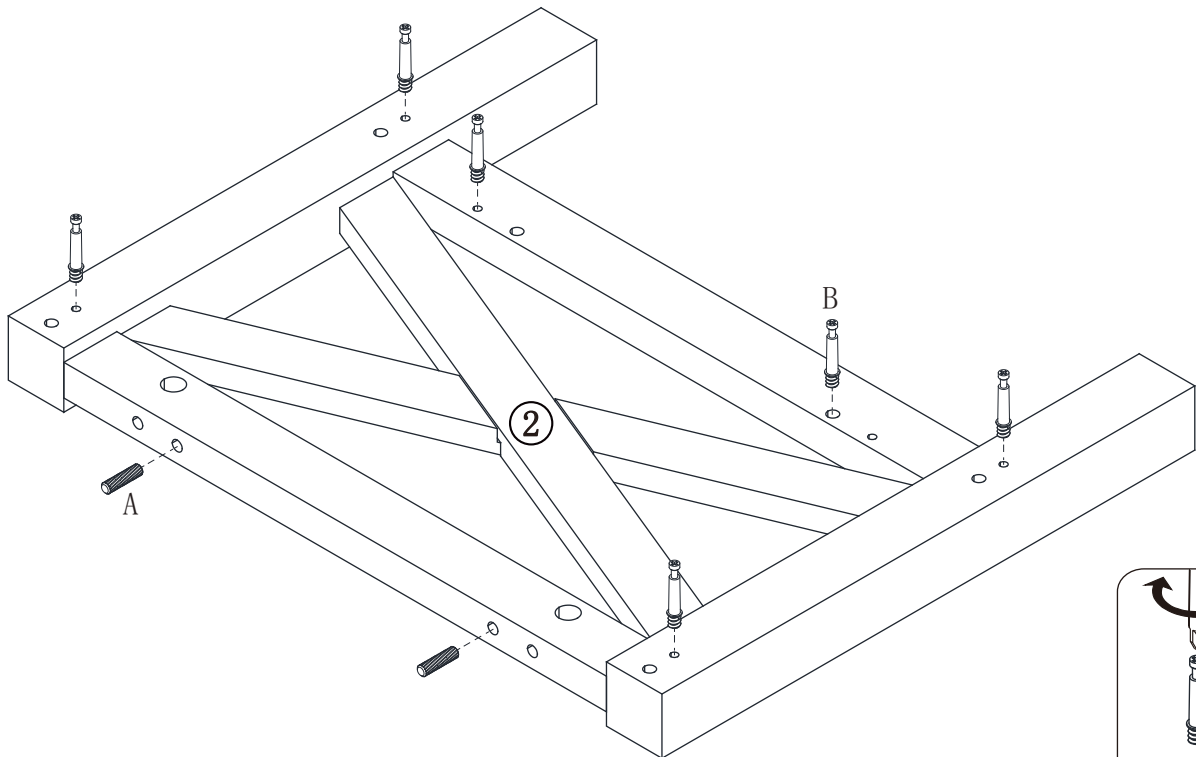
C X6



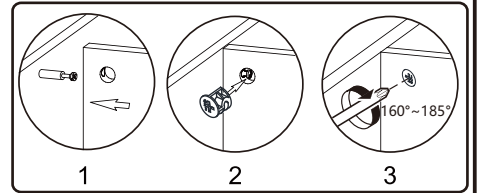
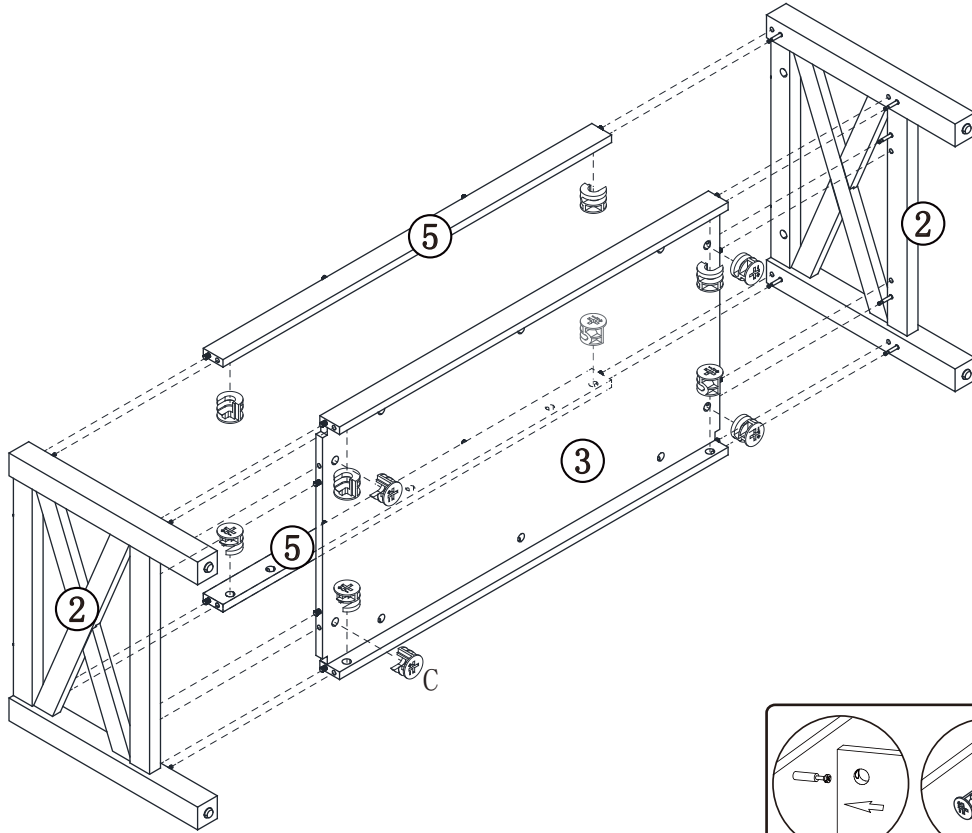
A x4



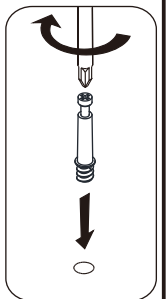
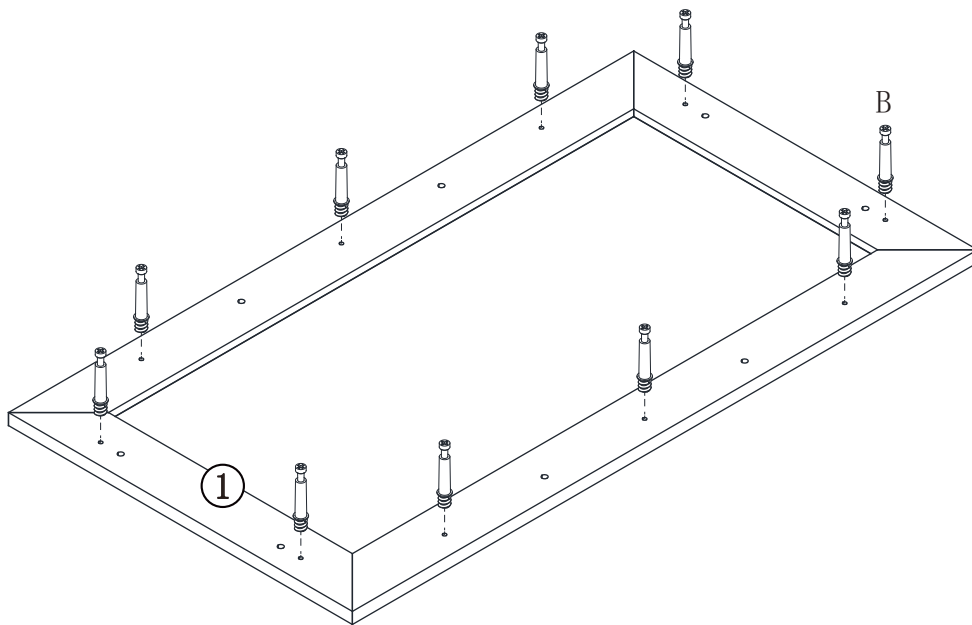
B X12



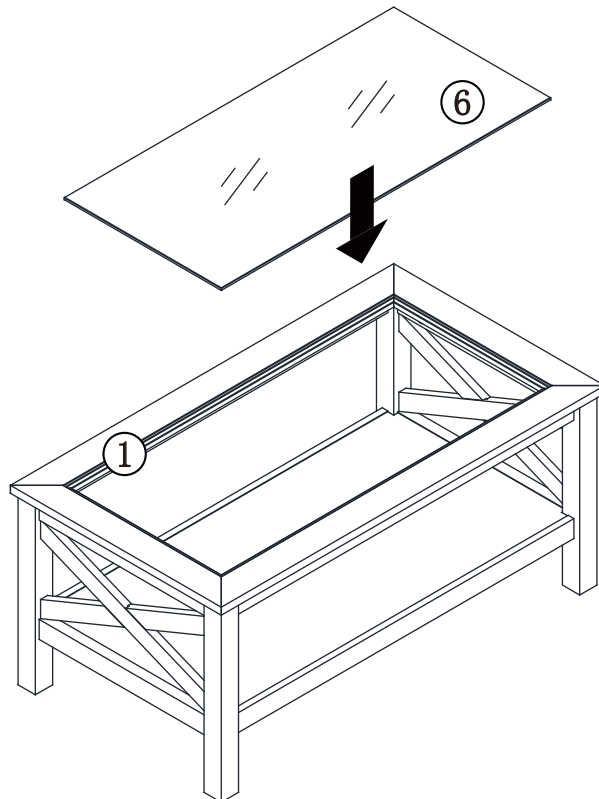
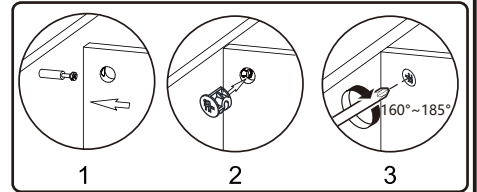
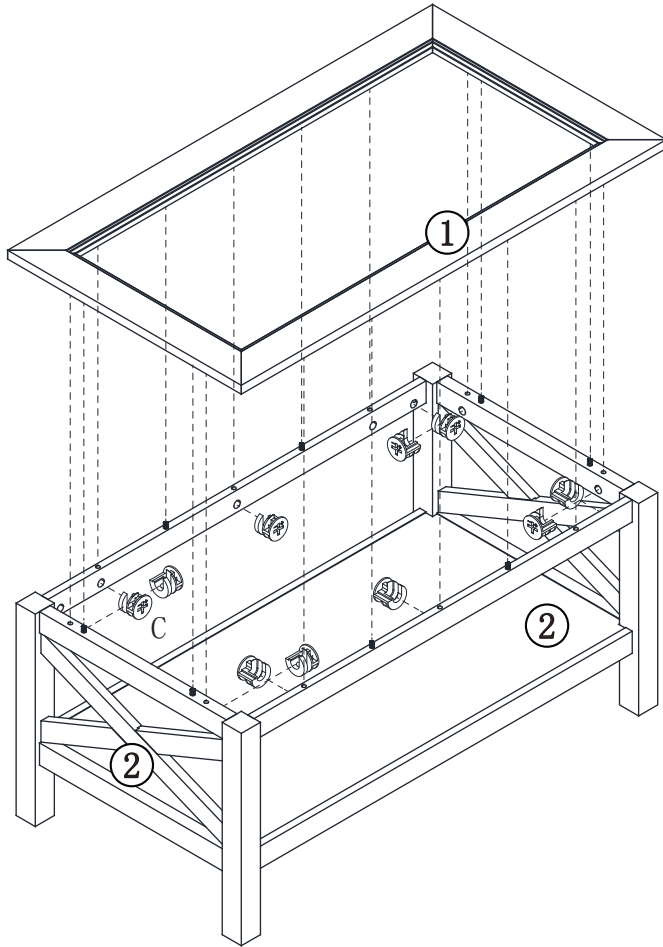
C X12



B X10



C X10

US



001-877-644-9366
customerservice@aosom.com

CA



001-855-537-6088
customerservice@aosom.ca

UK



0044-800-240-4004
enquiries@mhstar.co.uk

DE



0049-(0)40-88307530
service@aosom.de

FR



0033-1-84166106
contact@aosom.fr

ES



0034-931294512
atencioncliente@aosom.es

IT



0039-0249471447
clienti@aosom.it